

LanternLITE™

The DIY Lantern Blind

Fitting Instructions

WARNING: Do not fit this blind if it appears damaged in any way. Doing so could be dangerous and is at your own risk. If the blind looks damaged, please email photos and your name and phone number to team@skylight-blinds-direct.co.uk.

IMPORTANT

- Installation instructions should be followed otherwise the warranty will be void.
- It is the duty of the installer to pass on user and maintenance instructions to the end user. The installer must also demonstrate the blind is fully working in their hand over to the end user.
- If the blind is motorised it must be connected to an RCD protected circuit.
- It is the installers responsibility to ensure that suitable fixings are used to secure the blind in place

If you do not set your motor limits correctly you may damage your motor and invalidate the warranty.

WARNING: Do not fit this blind if it appears damaged in any way. Doing so could be dangerous and is at your own risk. If the blind looks damaged, please email photos and your name and phone number to team@skylight-blinds-direct.co.uk.

ROLLER SHADE FEATURES

MAX SIZE
9m²



FABRIC ZIP SIDE CHANNELS

- Slim 35mm wide channel
- Zipped-edge fabric retention
- Wider 56mm channel also available



CONSTANT TENSION SPRING UNITS

- 4kg pull force per unit
- Tension is constant throughout extensions and retraction
- Fabric under tension at any angle



HEADBOXES

- 100 x 92.5mm and 125 x 117.5mm headboxes to suit blind size
- Connects to side channel with sturdy steel legs
- Fascia removable within 100mm or 125mm

CONTROL OPTIONS

- Motorised (recommended)
- Crank-handle with reduction gear (limited sizes)



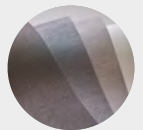
MOTORISATION CONTROLS

- Hardwired Switch
- Radio remote control
- Digital and IP communication
- Integration and control systems



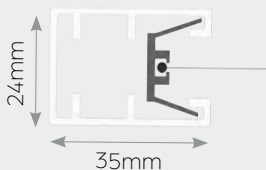
FABRIC OPTIONS

- Dimout fabrics for light filtering and privacy
- Sunscreen fabrics for glare control with views out
- Blackout fabrics for room darkening

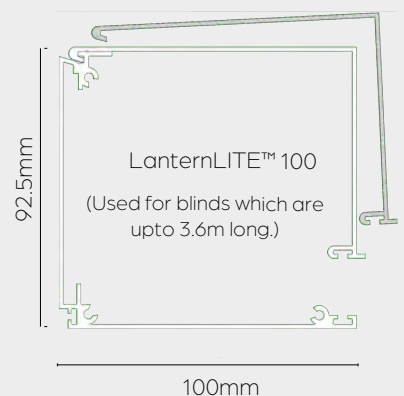
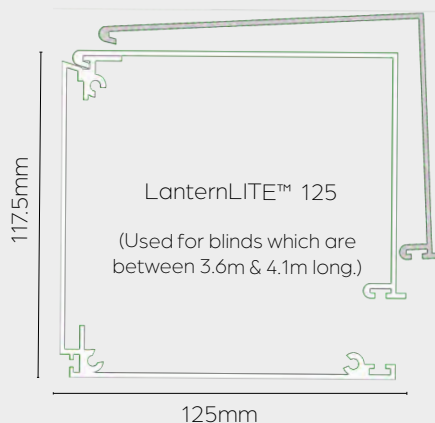


SYSTEM SPECIFICATION

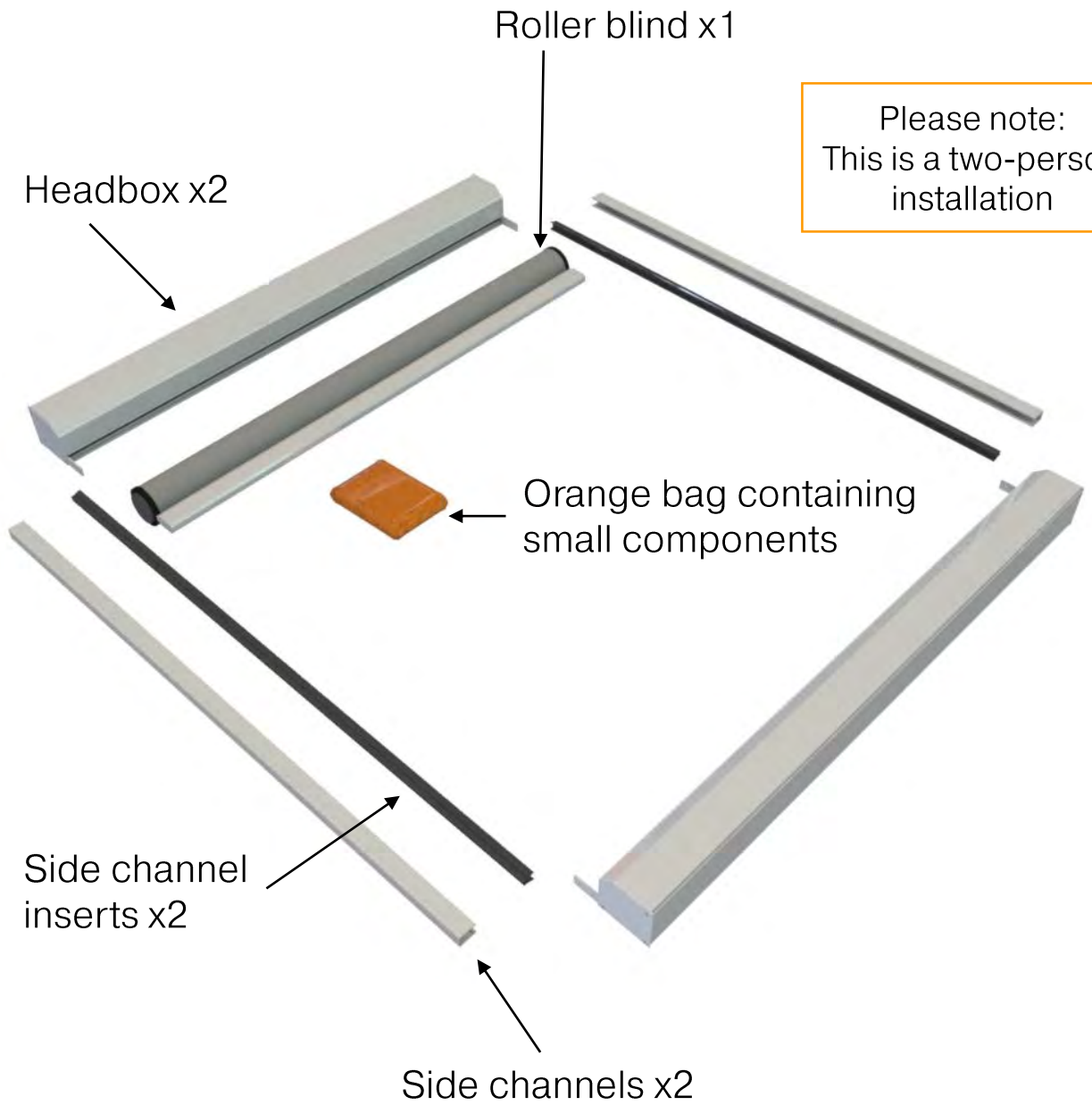
FABRIC RETENTION SIDE CHANNELS



LANTERNLITE™ HEADBOX DIMENSIONS

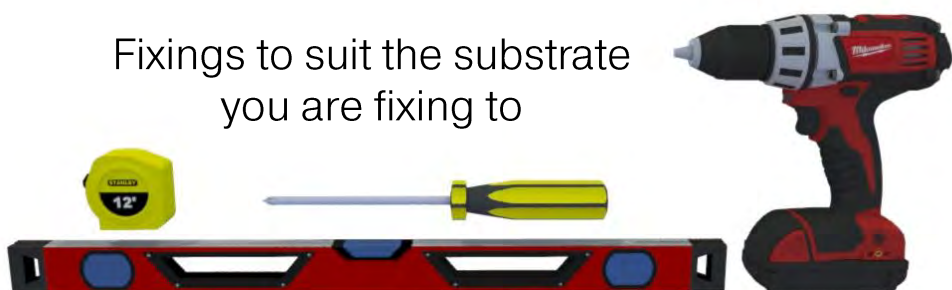


Thank you for choosing the LanternLITE™



Tools you will need:

Fixings to suit the substrate you are fixing to



Fitting Options Note

There are many way you can fit the LanternLITE™. The manual specifically covers how to face fix a LanternLITE™ on top of a batten/angle inside a reveal, however the basic principles apply to any installation.

Some of the most common fixing options are shown below.



Standard orientation, side fixed inside the reveal



Standard orientation, face fixed inside the reveal into aluminum batten/angle
AS SHOWN IN THIS MANUAL



Reverse orientation, face fix outside the reveal



Reverse orientation, inside the reveal

CTS UNIT WARNING

This blind contains constant tension spring (CTS) units.

Take great care when pulling the cord out of the CTS! These are powerful units and can cause damage or injury if misused!

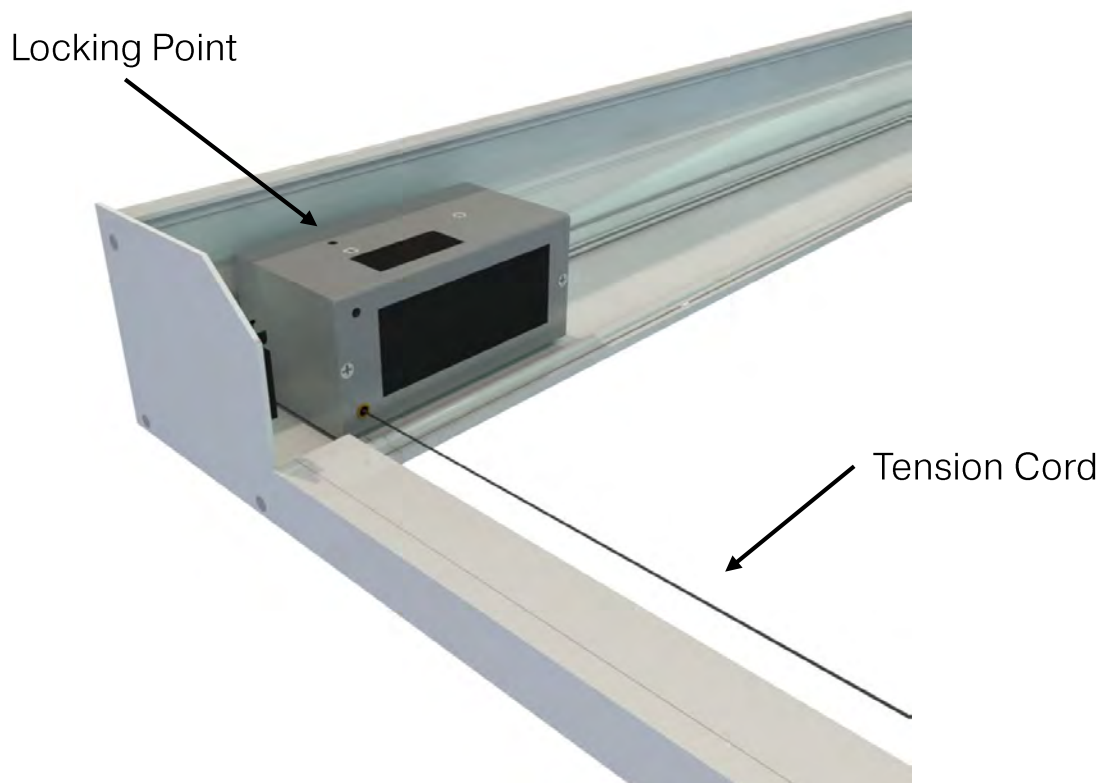
Under NO circumstances must the cord be released to wind back into the CTS unchecked. If this happens it WILL result in damage to the CTS and MAY ALSO result in injury or damage to persons or property.

For your convenience and safety every CTS is provided with a locking point, which is marked with an orange arrow. Pull the cord to rotate the spool inside the CTS until you see the hole in the spool line up with the locking point. Insert a pin* through the locking point into the spool to lock the CTS.

*for a locking pin you may use any metal shaft of 3-4mm diameter, e.g. small screwdriver, drill bit, screw.

To remove the locking pin, pull the cord tight to take the tension off the pin, lift the pin out and allow any slack cord to SLOWLY feed back into the CTS.

In some cases your blind will be delivered with the CTS already locked with a screw inserted into the locking point. DO NOT USE A SCREWDRIVER TO REMOVE THIS SCREW, but remove it following the instructions above.



Step 1

Decide if you want to use battens or angles.

Option 1 - Battens

If you are face fixing the blind to the **underside** of the batten, set the fixing profile back in the reveal by at least 93mm from the bottom of the batten to ensure the blind headbox is within the reveal.

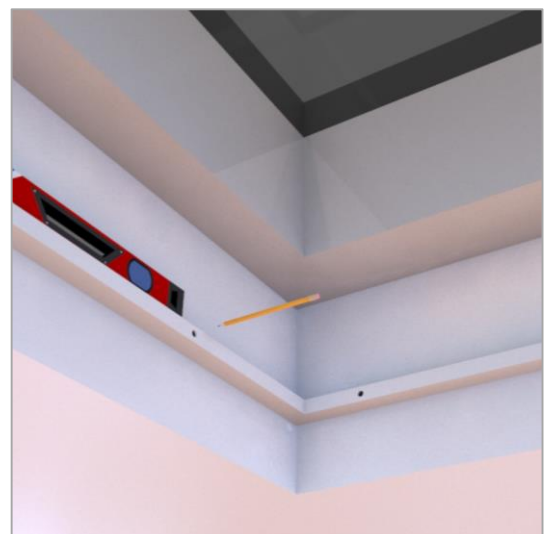
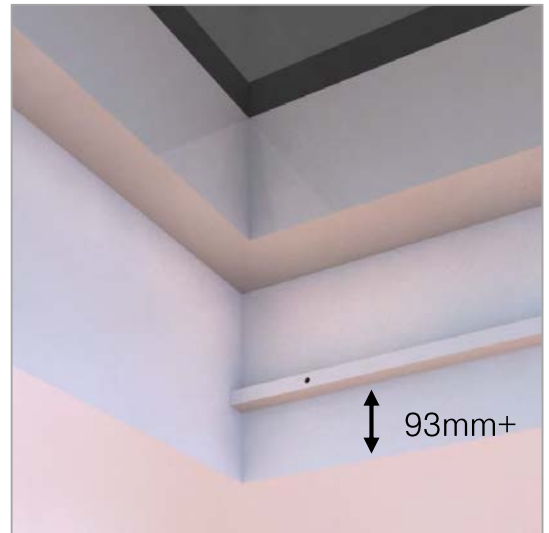
Proceed to fit all 4 lengths of profile ensuring the profile is level.

If you are face fixing the blind to the **top** of the fixing profile, fit one length of box section to the control end of the window reveal.

This is the start of the shelf.

Offer the other 3 fixing profiles into position and drill fixing holes ready for these to be fitted into place.

Do not fix these into position yet.



Option 2 - Angles

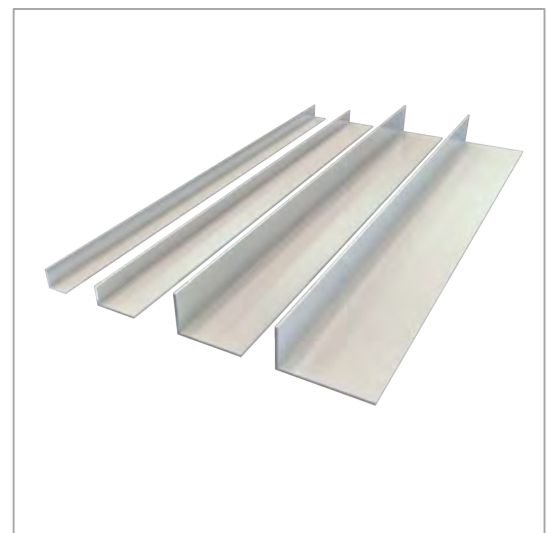
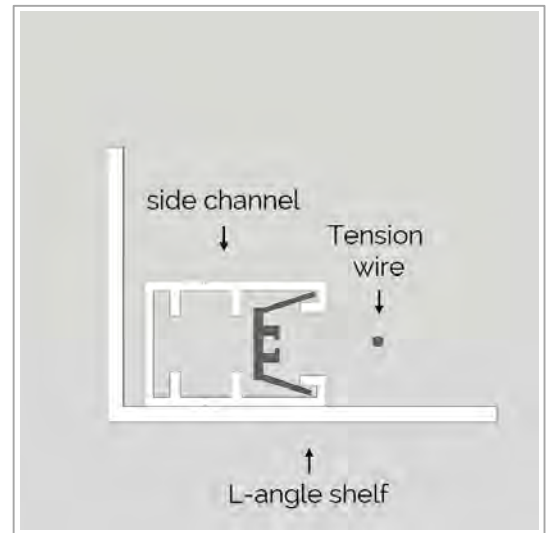
Make installation easier, faster and neater with L-fixing angle profiles to create a shelf around all sides of the blind.

Face fixing the blind to the top of the angle profile, fit one length of angle profile to the control end of the window reveal.

This is the start of the shelf.

Offer the other 3 fixing profiles into position in the reveal using a spirit level and drill fixing holes ready for these to be fitted into place.

Do not fix these into position yet.



Step 2

If your blind is not crank operated please proceed to step 3.

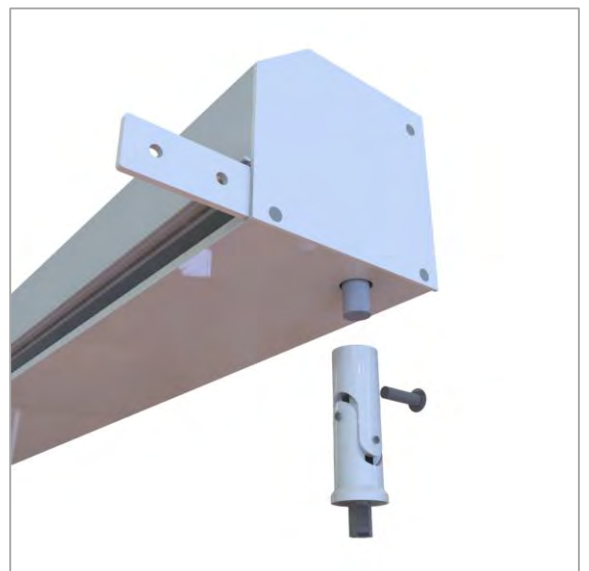
Fixed crank handles will not be attached to the cassette when it is delivered.

You should receive a crank handle and a steel 'C' clip. These will be required at the end of the installation.



For a detachable crank handle you will receive a magnetic universal joint and screw secured to the gear and a crank handle.

These can be removed to assist installation when necessary.



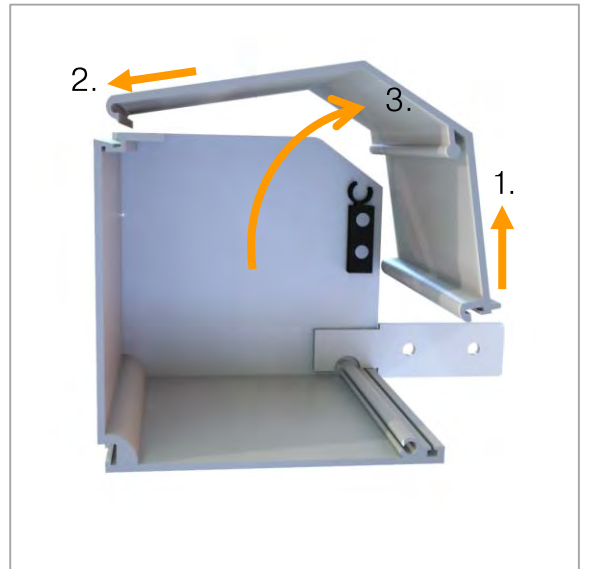
Step 3

Assembling your blind.

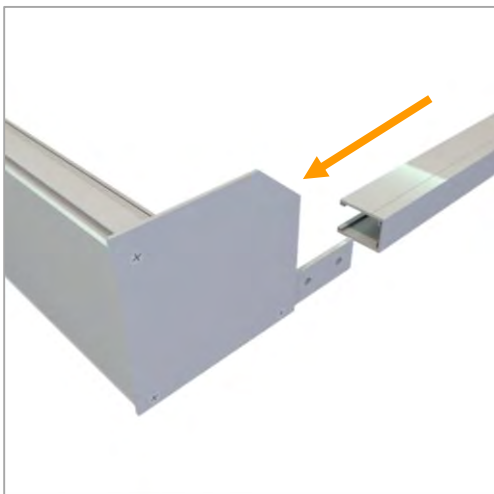
Remove the cassette front covers by releasing the screw from each end (both ends of the blind).



Hinge the cover forward by approx. 8mm and it will lift off the back section as shown
Reverse this procedure to replace the front cover at the end of the installation.

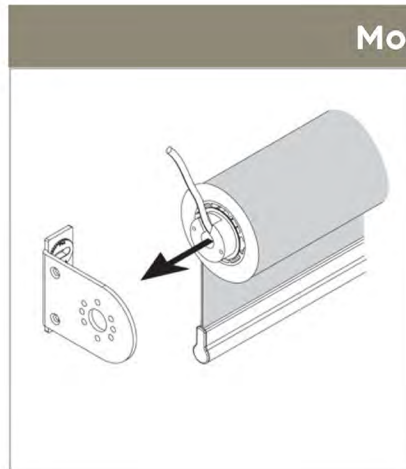
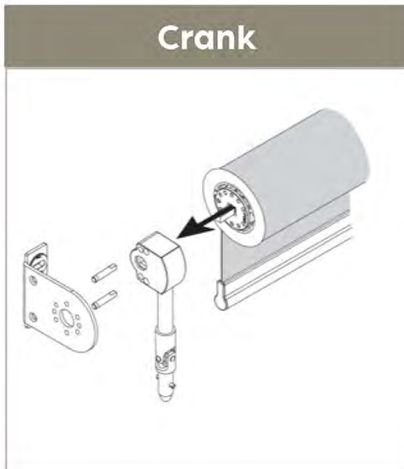


Slide the side channels onto the steel legs of the headbox end cheeks to form a rectangle on the floor.



Step 4

Fit the roller blind into the headbox.



For Somfy Motorised

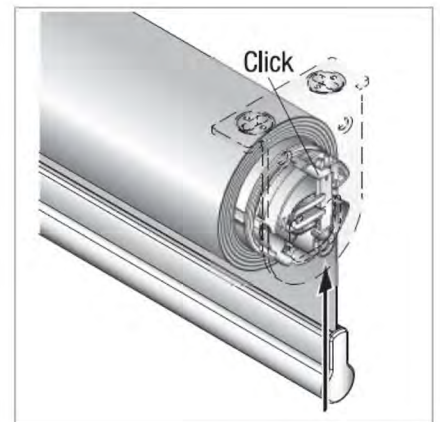
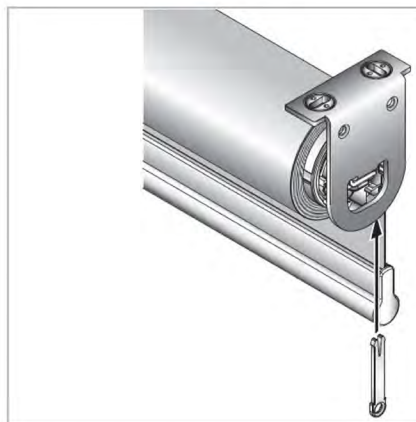
Motor flex must exit through the single 'V' shape exit in the motor cup on the bracket. The plastic motor cup must not be rotated from factory position.

For All Motorised

Slide the cable through the cable exit hole in the cassette.

If no cable exit was specified at order stage, use a 13mm drill bit to create a cable exit and insert the rubber grommet supplied.

Bearing End

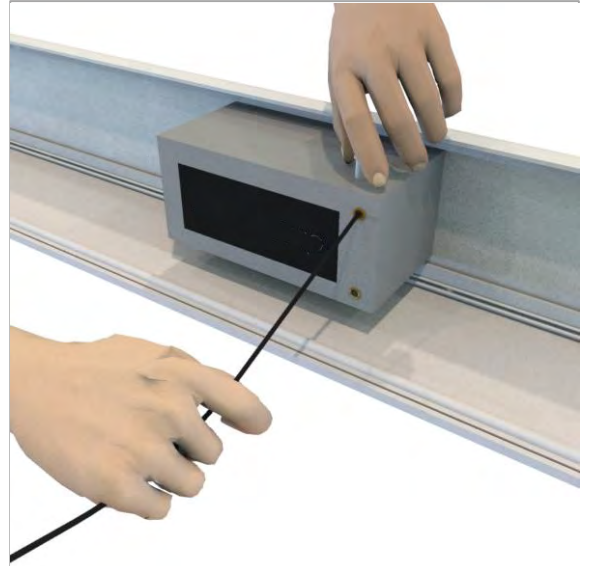


The idle end pin shown above must be fully pushed home to ensure the blind is held securely.

Step 5

Attaching the tension cords.

From the first CTS unit pull out enough cord to reach the roller blind hembar + 100mm.



Use a screw or drill bit to lock the tension by inserting it into the locking point indicated by the sticker.

When you put this into the hole, allow a bit of cord to go back into the box until the tension locks against the screw/drill bit.

Repeat for the second CTS Unit



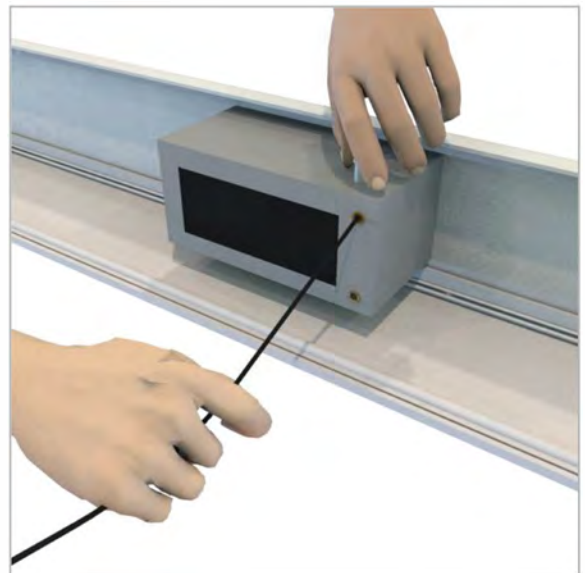
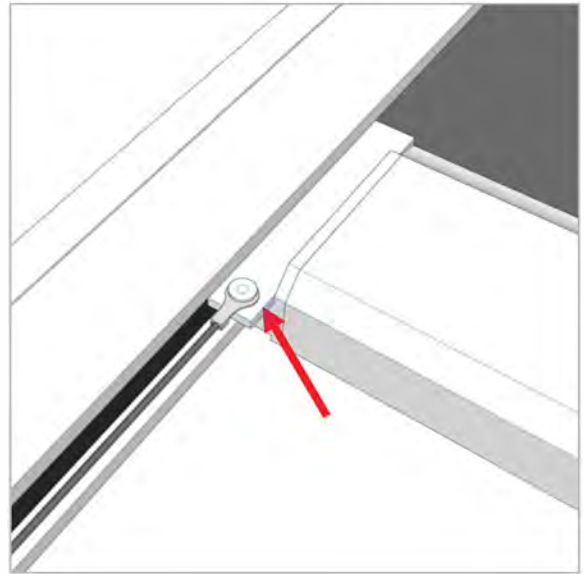
Attaching the tension cords.

Hook the loop on the end of the cord over the stand-off on the hembar endcap.



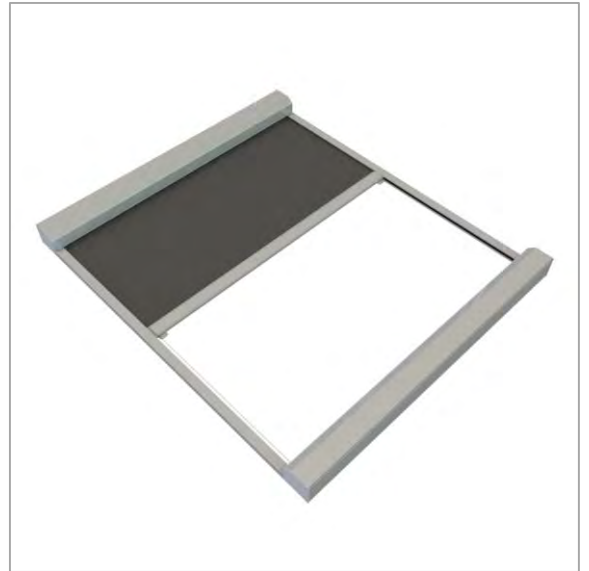
Be careful not to let the loop drop off whilst the cord is still slack.

Take up the slack cord and remove the locking pin from the spring box. Keeping the cord taught slowly let the spring take up the slack. Tension will be immediately applied to the cord.

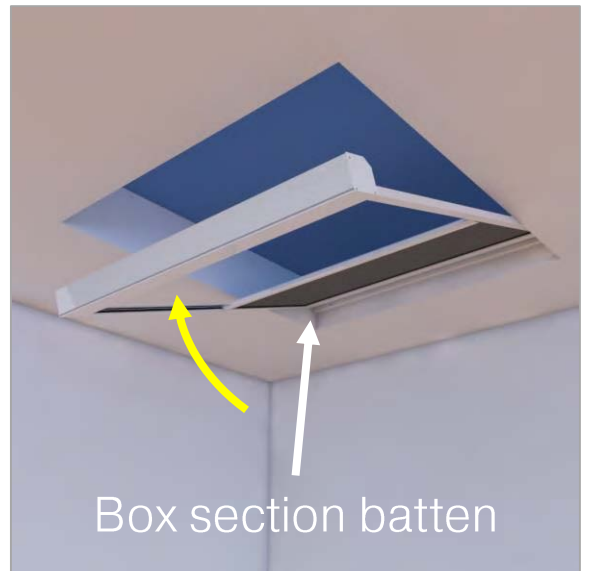


Step 6

Form a rectangle on the floor.



Now offer the blind up to the window sitting the motor end headbox on the batten you have already fixed in place.



Lift the blind into the reveal and fix the remaining 3 battens into place using the holes you have pre-drilled

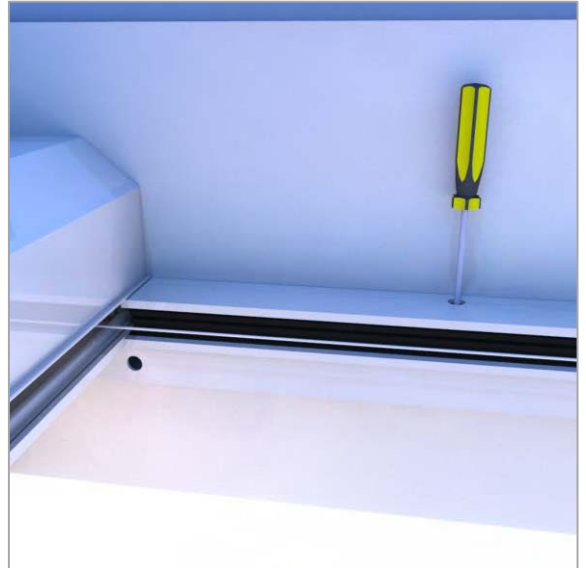
Your LanternLITE™ should now be sitting on top of the batten



Step 7

Ensuring the blind is square is critical to the successful operation of the blind.

Face fix the side channels into the batten. Work your way along the channels using a tape measure to ensure that the side channels are the same distance apart at each fixing point.



General Fixing Note

If the fixing type was not stated on the purchase order the side channels will not be pre-drilled.

Face Fix – drill a 5mm hole all the way through the face of the channel on the drill line, then enlarge the front hole to 8.5mm

Reveal Fix – drill a 5mm hole through the side of the channel

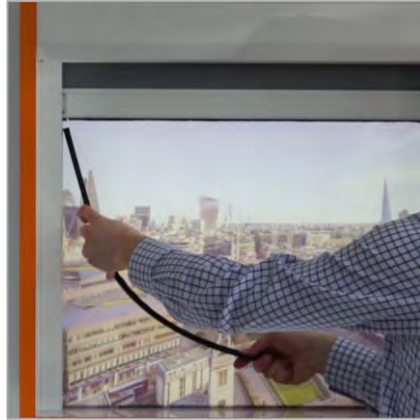
Cover caps to conceal face fix holes are available from us.

Step 8

Fitting the zip insert into the side channels.



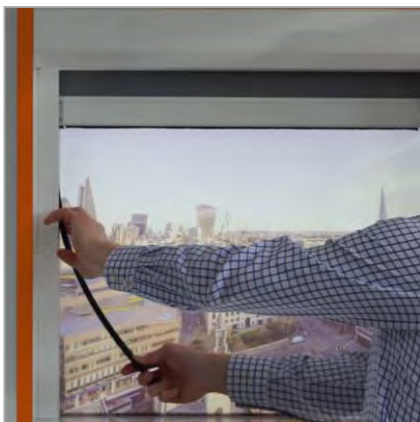
Unroll the blind by approximately 50mm.



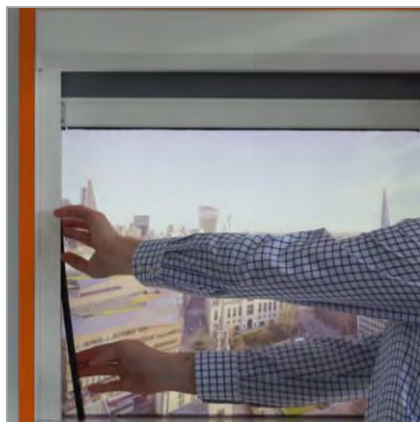
Start to slide one end of the black plastic insert up the channel with the fins facing outwards.



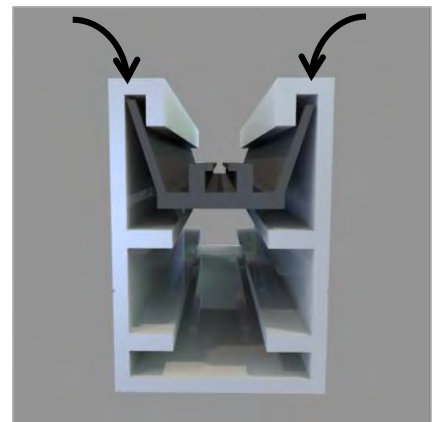
Engage the zip at the bottom of the hembar, with the opening at the centre of the plastic insert.



Once you have caught the end of the zip in the plastic insert, angle the insert so it is nearly parallel with the side channel and start to slide the insert up the zip on the edge of the fabric ensuring the zip stays engaged with the insert.



Once the insert is level with the top of the side channel you can push it back into the channel.



Ensure that the fins locate inside the returns on channel for the full drop of the blind.

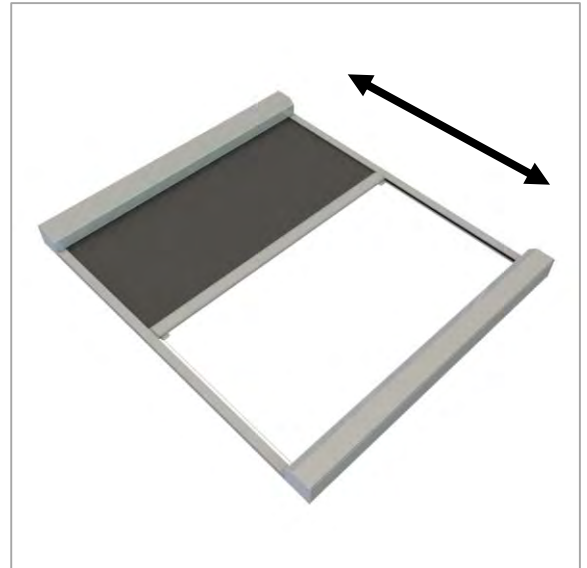
Step 9

Fitting the cover buttons.

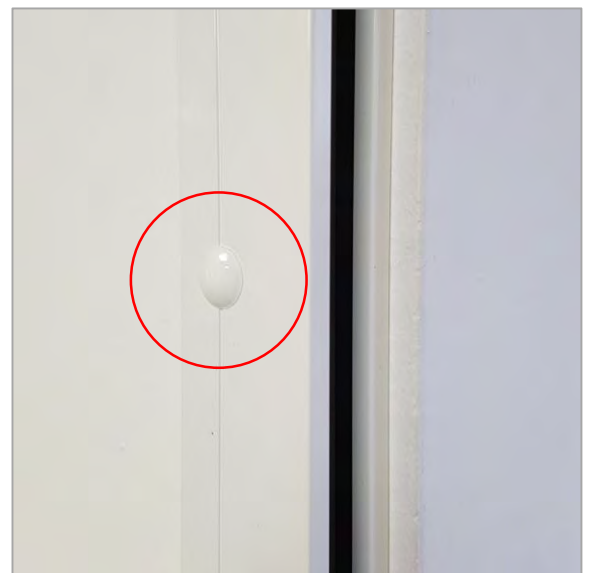
Spray silicone down each zip insert.

Run the blind down and back up again to ensure that the insert is correctly positioned within the channel.

When the blind is closed you can press the edges of the fabric to check the zip is captivated by the insert.



Once you are happy that the blind is running perfectly and needs no further adjustment, you can tap the plastic cover caps into the fixing holes to create a neat finish.



Motor Commissioning & Pairing of Controller

You now need to set your motor limits and pair your controller. **If you do not set your motor limits correctly you may damage your motor and invalidate the warranty.**

Please see following pages on how to set your motor limits and pair your controller.

Once the commissioning has been done clip the front cover into place and secure it with a screw at each end.

Your installation is now complete.

The DIY Lantern Blind RF Remote Control Programming Instructions



RTS controls explained

Remote Control



- Up button
- Stop button
- Down button
- Channel selection indicator LEDs
- Channel selection

Prog button



Prog button




- Up button
- Down button

Wall Switch

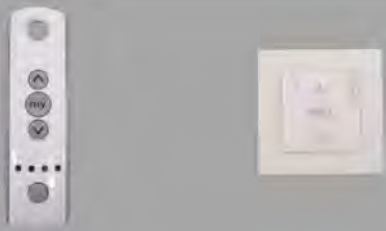
Somfy RTS motor setup – 230v and 24v



Only the blind you want program can be connected to the power whilst programming.
Disconnect all other blinds from the power to avoid interference.

Desired Outcome		Motor Feedback
Pair the remote with the motor	<ul style="list-style-type: none"> A. Supply power to the motor you want to programme, the motor is now in learning mode B. Press the 'Up' and 'Down' buttons on the handset simultaneously until the motor moves 	The blind jogs
Change the turning direction of the motor	<ul style="list-style-type: none"> A. Press the 'My' button until the motor moves 	The blind jogs
Set the upper limit	<ul style="list-style-type: none"> A. Drive the blind to the top limit position B. Simultaneously press the 'My' button and the 'Down' button together once C. Press the 'My' button to stop the blind 	<ul style="list-style-type: none"> A. - B. The blind will start to travel down
Set the lower limit	<ul style="list-style-type: none"> A. Drive the blind to the bottom limit position B. Simultaneously press the 'My' button and the 'Up' button together once C. Press the 'My' button to stop the blind D. Press and hold the 'My' button for 2no. seconds E. Press and hold the 'Prog' button until the motor jogs 	<ul style="list-style-type: none"> A. - B. The blind will start to travel upwards C. - D. The blind jogs E. The blind jogs
Set the intermediate limit	<ul style="list-style-type: none"> A. Drive the blind to the desired intermediate stop position B. Press and hold the 'My' button for 5no. Seconds 	The blind jogs

Somfy RTS motor setup – 230v and 24v

Desired Outcome		Motor Feedback
Reset the motor (This resets the motor back to factory settings)	<ul style="list-style-type: none"> A. Turn off the power for at least 2no. seconds B. Turn on the power for 10no. seconds C. Turn off the power for at least 2no. seconds D. Turn on the power E. Press and hold the 'Prog' button on the remote for 10no. Seconds, the blind will shunt, keep holding until it does a second shunt 	<ul style="list-style-type: none"> A. - B. - C. - D. The blind will travel for at least 5 seconds in opposite direction to its last movement E. See notes in left hand column
Add more remotes	<ul style="list-style-type: none"> A. OLD REMOTE – select channel you wish to copy B. OLD REMOTE – Press and hold the 'Prog' button until the blind jogs C. NEW REMOTE – select the channel you wish to copy to D. NEW REMOTE – Press and hold the 'Prog' button until the blind jogs 	<ul style="list-style-type: none"> A. - B. The blind jogs C. - D. The blind jogs
Remove remotes	<ul style="list-style-type: none"> A. REMOTE TO KEEP – select a channel B. REMOTE TO KEEP – Press and hold the 'Prog' button until the blind jogs C. REMOTE TO REMOVE – select a channel D. REMOTE TO REMOVE – Press and hold the 'Prog' button until the blind jogs 	<ul style="list-style-type: none"> A. - B. The blind jogs C. - D. The blind jogs

Thank you for choosing



Email: sales@skylight-blinds-direct.co.uk

Phone: 0800 008 6293

WARNING: Do not fit this blind if it appears damaged in any way. Doing so could be dangerous and is at your own risk. If the blind looks damaged, please email photos and your name and phone number to team@skylight-blinds-direct.co.uk.